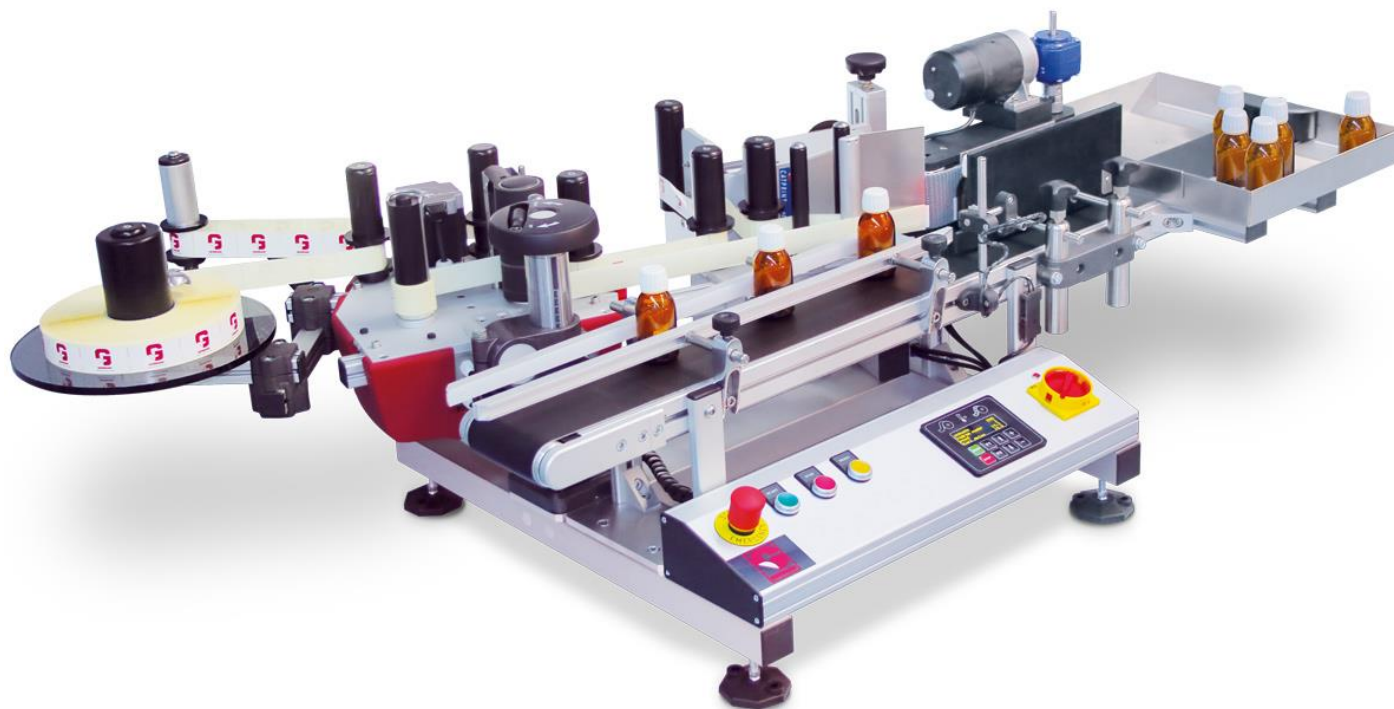


# Mini Labeller Cylindrical

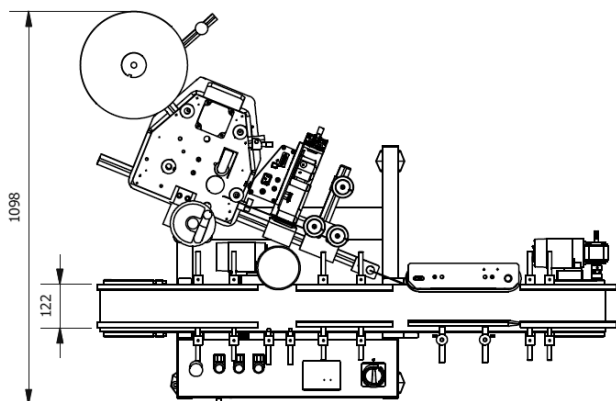
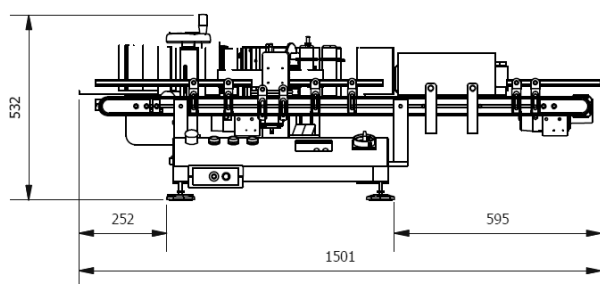
## Machine Specifications



**GERMARK**  
IDENTIFICATION SOLUTIONS



### Dimensions



Perfect for small productions and  
as initiation to the automatic  
labelling world

### Labelling Options



**Measures of the product to label:**  
Height: 15 mm - unlimited  
Diameter: 15 mm – 100 mm

## General Features

<b>Maximum line speed</b>	12 m/min
<b>Changes of format</b>	Yes, in an easy and comfortable way
<b>Different options</b>	Thermoprinter, End-of-reel control, Label-on-product control, Reprint control, Luminic/acoustic informants, Transparent labels detector, Labelled product collection tray, Product spacer
<b>Control panel</b>	Easy use with all the controls for the daily use of the labelling machine
<b>HMI</b>	Multilingual
	Different configuration options of the machine Possibility of saving up to 20 different programs
<b>Good finishing guaranteed</b>	Surrounding belt to adhere the label correctly

## Technical Data

<b>Voltage/Frequency</b>	220V – 50 Hz
<b>Consume</b>	1000 W
<b>Dimensions</b>	532 x 1098 x 1501
<b>Weight</b>	45 kg

## Technical Specifications

<b>Label reel dimensions</b>	Maximum width	115 mm
	Minimum width	10 mm
	Minimum length	10 mm
<b>Label reel capacity</b>	Maximum external diameter	300 mm
	Internal diameter	76 mm

## Including Technical Documentation of the Equipment

User's Guide

Electrical Schemas

Declaration of Conformity and Market CE