

J PRISMA

P A R M A I T A L Y



checkweigher
14T3 / 16T3





discover all the details on our web-site!



Technical Specifications

	14T3	16T3
Weighing range	up to 15000 g	up to 30000 g
Display division	from 5 g	from 10 g
Linear speed	up to 50 m/min	up to 25 m/min
Throughput	up to 60 ppm	up to 30 ppm
Accuracy*	from ± 5 g	from ± 10 g
Pneumatic supply	0,6 Mpa	
Air consumption (for ejection)	1 NI	
Power supply	230V 50/60Hz single phase	
Power consumption	1000 W	
Mirror finishing of metal parts	Stainless Steel IP54	
Climatic environment	from 5°C up to +40°C non-condensing (closed)	

*depending on the weight, dimensions and type of product

Electronics

T3



- Digital electronics with PC Mainboard mini-ITX
- 10,4" TFT color display with touch screen panel
- Windows 10 IoT operating system
- 200 storable product programs

D3



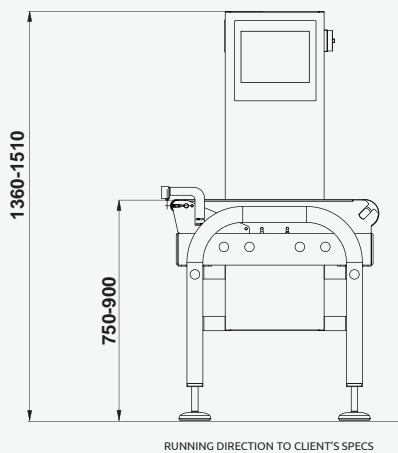
- Digital electronics with alphanumeric graphic display
- 100 storable product programs

Equipment

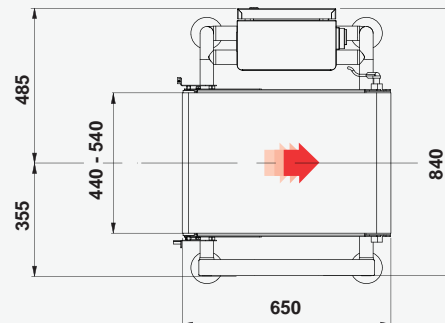
- Electronic self-calibration device
- Mobile average function
- Conformity with standards ISO - FDA - HACCP - GMP - CE
- 2 RS232 serial ports
- 3 levels password access protection
- Production data management in conformity with the standards in force

Optional

- Ejection systems
- Reject management systems
- Wind-prevention tunnel
- 24-columns panel printer
- Special conveyors
- Separated electronic equipment
- Alarms notification
- USB interface
- Ethernet interface for Industry 4.0 compliance
- Products programs memory expansion
- Feed-back function
- FAT/SAT, IQ/OQ validations, CFR21 part 11
- MID Certification



RUNNING DIRECTION TO CLIENT'S SPECS



The manufacturer reserves the right to change the product specifications without notice. The image and the drawing are indicative of one of the possible configurations of the machine.